

Datasheet

Coastal Transponder



Description

Part of Sonardyne's Coastal Acoustic product range, the Type 7815-000-07 Coastal Transponder has been designed for low cost applications where size and weight are important operational factors.

The transponder enables critical targets such as underwater structures, diving bells and instrumentation packages to be marked unambiguously and later relocated using Sonardyne's Homer-Pro and ROV-Homer range and direction systems.

The transponder operates with any of the Coastal Acoustics tracking and relocation systems such as Scout USBL, Prospector and Homer-Pro.

The small size and lightweight design of the transponder enables normal or Emergency relocation of critical points of interest, accurate underwater distance measurement and small target/diver tracking.

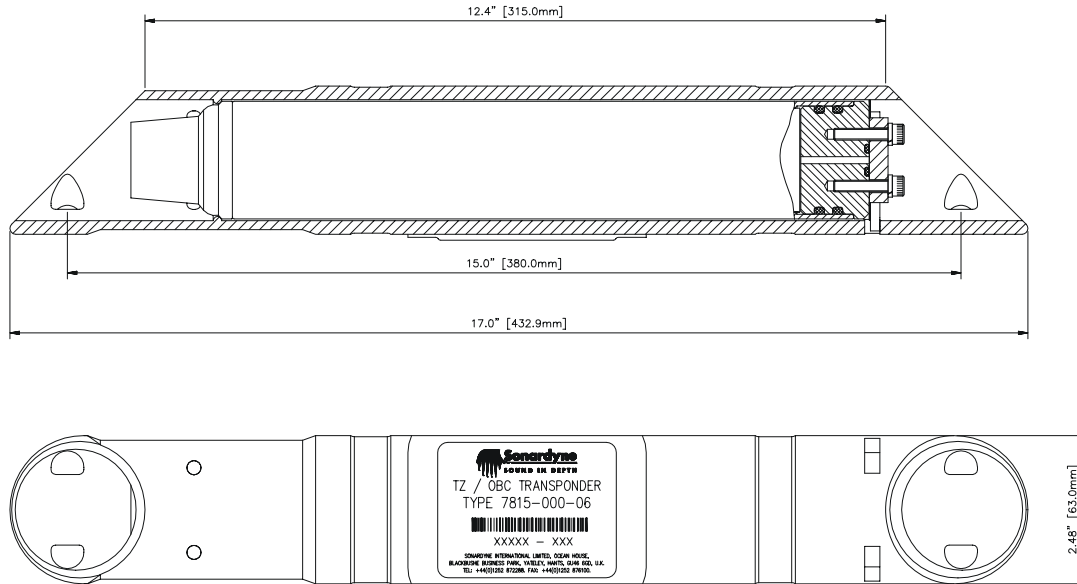
The unit operates in the HF frequency band from 35-55 kHz. External programming of interrogation addresses and reply frequencies are incorporated.

Key Features

- Versatile, low cost transponder
- Depth rated to 500 Metres
- Compact and rugged design
- HF frequency band from 35-55kHz
- Alkaline battery packs give up to 18 months listening life

Specifications

Coastal Transponder



Feature	Type 7815-000-07
Depth Rating	500 Metres
Operating Frequency Range	HF (35–50kHz)
Source Level	184-187dB
Receive Sensitivity	105-115dB re 1µPa @1m
Number of Unique Addresses	3609 (Field Programmable)
Switch On	Continuously operating (No On/Off switch)
Battery Life	Alkaline: 18 months
Mechanical Construction	Plastic and Aluminium Alloy (Anodised)
Dimensions (LxDia)	442mm (17.4") x 63mm (2.4")
Weight in Air	1.1Kg
Weight in Water	0.75Kg
Deck Unit	Type 7967-000-02 (Includes transducer and 10 metres of cable)