

Synthesized MF/HF CRT Direction Finder

TD-C358 / TD-C358-K

High performance direction finder for professional fishing boat



- Bearing indication with propeller pattern on CRT display.
- Selectable goniometer unit type, built-in type (TD-C358) or external type (TD-C358-K).
- Vernier dial type of gain control and analogue level meter are adopted for distance measurement.
- 4 modes for reception, Manual / Search / Spot / Scan.
- Memory up to 400 frequencies for spot or scan reception.
- Sense and phase adjustment functions in HF band.
- Possible direction finding of 27MHz with optional loop antenna EL-85-04.
- True bearing display with optional gyro repeater motor.

MF/HF CRT Direction Finder Model TD-C358/TD-C358-K

TD-C358

- Built-in goniometer unit.
- Antenna cable length shall be shorter than 30m, suitable for middle size of fishing boat.

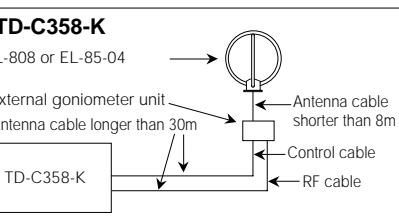
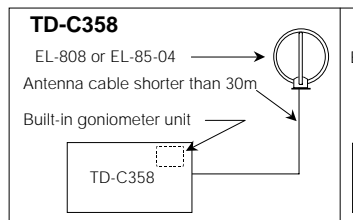
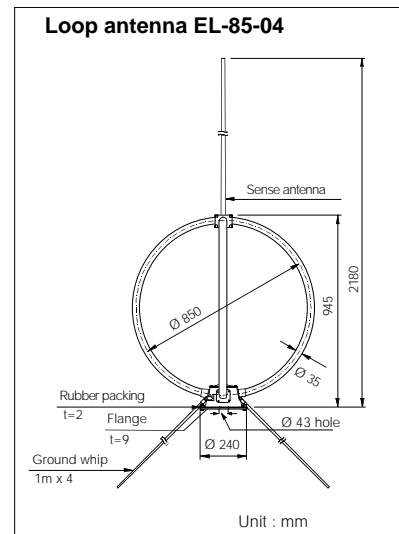
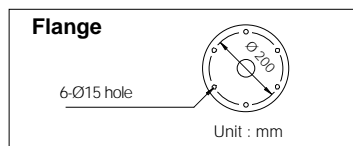
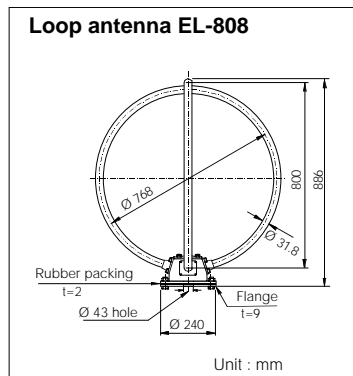
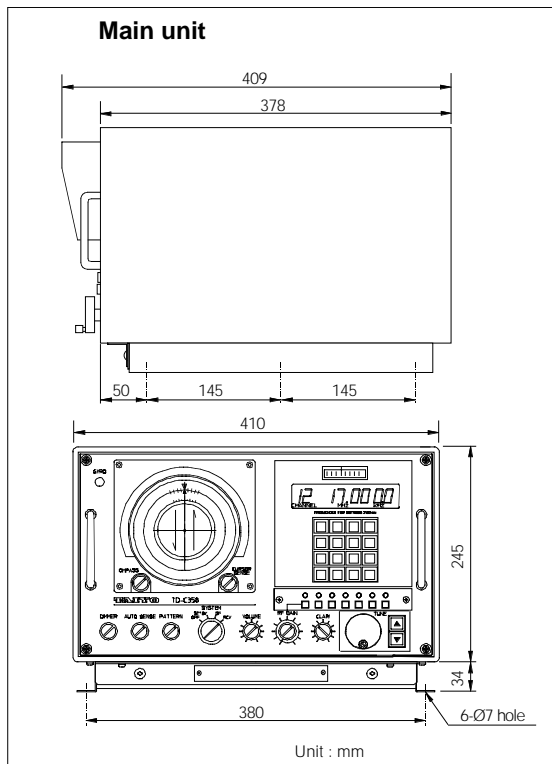
TD-C358-K

- External goniometer unit installed under the loop antenna.
 - *Longer than 30m antenna cable can be used, suitable for large purse seiner.
- *Receiving sensitivity may be slightly decreased if the antenna cable length is increased.

Specifications

| Antenna | |
|---|--|
| Loop antenna | Standard : EL-808 (frequency range for direction finding: 200kHz ~ 16MHz) Option : EL-85-04 (frequency range for direction finding: 200kHz ~ 16MHz & 26MHz ~ 29.9999MH) |
| Antenna cable | |
| TD-C358 | HF cable, 7 cored 3D-2E |
| TD-C358-K | HF cable, 7 cored 3D-2E (between Loop antenna and external goniometer unit), RF cable and Control cable (between external goniometer unit and main unit) |
| Receiver | |
| Frequency range | 200kHz ~ 29,999.9kHz, indicated in 0.1kHz step |
| Wave form | A1A, A2A, H2A, A3E, H3E and J3E |
| Receiver circuit | Double superheterodyne with synthesized local oscillator, 1 st IF : 65.7MHz, 2 nd IF : 455kHz |
| Mode of reception | MANUAL : digital setting or with numeric keys, shift keys, or tuning dial SPOT : spot calling, max. 400 frequencies possible SCAN : possible for 10 frequency groups, max. 100 frequencies in a block SEARCH : From 10kHz to 1000kHz, 2kHz step |
| Direction measurement of surface wave (at no disturbance condition) | |
| Accuracy | In MF, $\pm 1^\circ$ or smaller at 1mV/m In HF, $\pm 2^\circ$ or smaller at 0.3mV/m |
| Scattering | In MF, $\pm 6^\circ$ or smaller at 50 μ V/m In HF, $\pm 6^\circ$ or smaller at 30 μ V/m |
| Signal noise ratio | In MF, 10dB or larger at an input of 50 μ V/m In HF, 10dB or larger at an input of 30 μ V/m |
| Sense determination | Automatic or manual, sense and phase adjustment device is provided. |
| Bearing display | Propeller pattern on CRT Reading with cursor, compass card and compass rose. |
| Gyro repeater | Built-in repeater motor possible (option). |
| Power supply | |
| Voltage and cycle | 100/110/115/200/220/230 VAC, 50Hz or 60Hz, 50VA |
| Stability | Variation of supply voltage should be within $\pm 10\%$ |
| Environment | |
| Temperature | -10°C to +50°C. |
| Humidity | 95% (relative humidity) |
| Dimension & Weight | |
| TD-C358 main unit | W410xH279xD378 mm 25.0 kg |
| TD-C358-K main unit | W410xH279xD378 mm 21.0 kg |
| External goniometer unit | W370xH156xD323 mm 9.0 kg |
| EL-808 | $\varnothing 800$ x H886 mm 6.5 kg (exclude flange) |
| EL-85-04 | $\varnothing 850$ x H2180 mm 8.3 kg (exclude flange) |
| Flange | $\varnothing 240$ x H9 mm 3.0 kg |

Outside view & Dimension



*The above descriptions subject to change without notice.

TAIYO MUSEN CO.,LTD.

2-11-18, Higashi-Kojiya, Ota-ku, Tokyo 144-0033 JAPAN
 TEL: 81-3-5735-1243
 FAX: 81-3-5735-1683
 URL: <http://www.taiyomusen.co.jp>



PLEASE CONTACT

TCC0003 1-0511-20NMP-1

Printed in Japan 2KH170A