

PolaNt_G: GPS/GLONASS/GALILEO L-Band antenna.

PolaNt_G is a lightweight high precision geodetic multi-frequency multi-constellation antenna for use with the PolaRx/AsteRx/LBR family of high performance multiple-frequency GNSS receivers. This high-gain antenna incorporates low-noise amplifiers, and is built into a rugged and environmentally sealed housing.



PERFORMANCE

Frequency	1523 - 1563 MHz (L-Band) 1565 - 1615 MHz (GPS L1 - GLO L1) 1164 - 1196 MHz (GPS L5/GAL E5a) 1217 - 1260 MHz (GPS L2 - GLO L2)
Polarization	RHCP
Axial Ratio	3dB max
Amplifier	
Gain	38 ± 2 dB
Noise Figure	2.5 dB max
Input Voltage	+ 3 to +15 VDC
Current	55 mA (typ)
Impedance	50 Ω
VSWR	≤ 2.0:1

PHYSICAL AND ENVIRONMENTAL

Finish	Weatherable polymer
Weight	≈ 535 g
Diameter	178 mm
Connector	TNCF
Altitude	≤ 6 000 m (20 000 ft)
Temperature	-40° C to +75° C

POLARX2 FAMILY : OTHER PRODUCTS

PolaRx2eH and PolaRx2e@ - A unique single-board dual-frequency multi-antenna receiver that can be connected to 2, respectively 3 antennas, for various machine control, heading/attitude and other multi-antenna applications.

AsteRx1 - Compact single-frequency GNSS receiver platform, offering top-quality GPS and Galileo code and carrier phase data and single frequency positioning (including GPS DGPS and L1-RTK) at up to 50 Hz.

AsteRx2 - Compact dual-frequency GPS/GLONASS receiver platform, offering top-quality GPS code and carrier phase data and dual-frequency positioning (including DGPS and L1/L2-RTK) at up to 20 Hz.

PolaRx3 - A versatile high-accuracy dualfrequency GNSS receivers for precise positioning and navigation applications. Next to high-quality GPS measurements, it provides GLONASS dual-frequency data as well as modernized GPS (L2C).

PolaRx3G - A high-performance integrated dual-frequency GNSS receiver that provides access to the new and upcoming Galileo signals. The modernized GPS signals are also supported.

PolaRx3TR - A high-performance integrated dual-frequency GNSS Timing/Reference receiver.

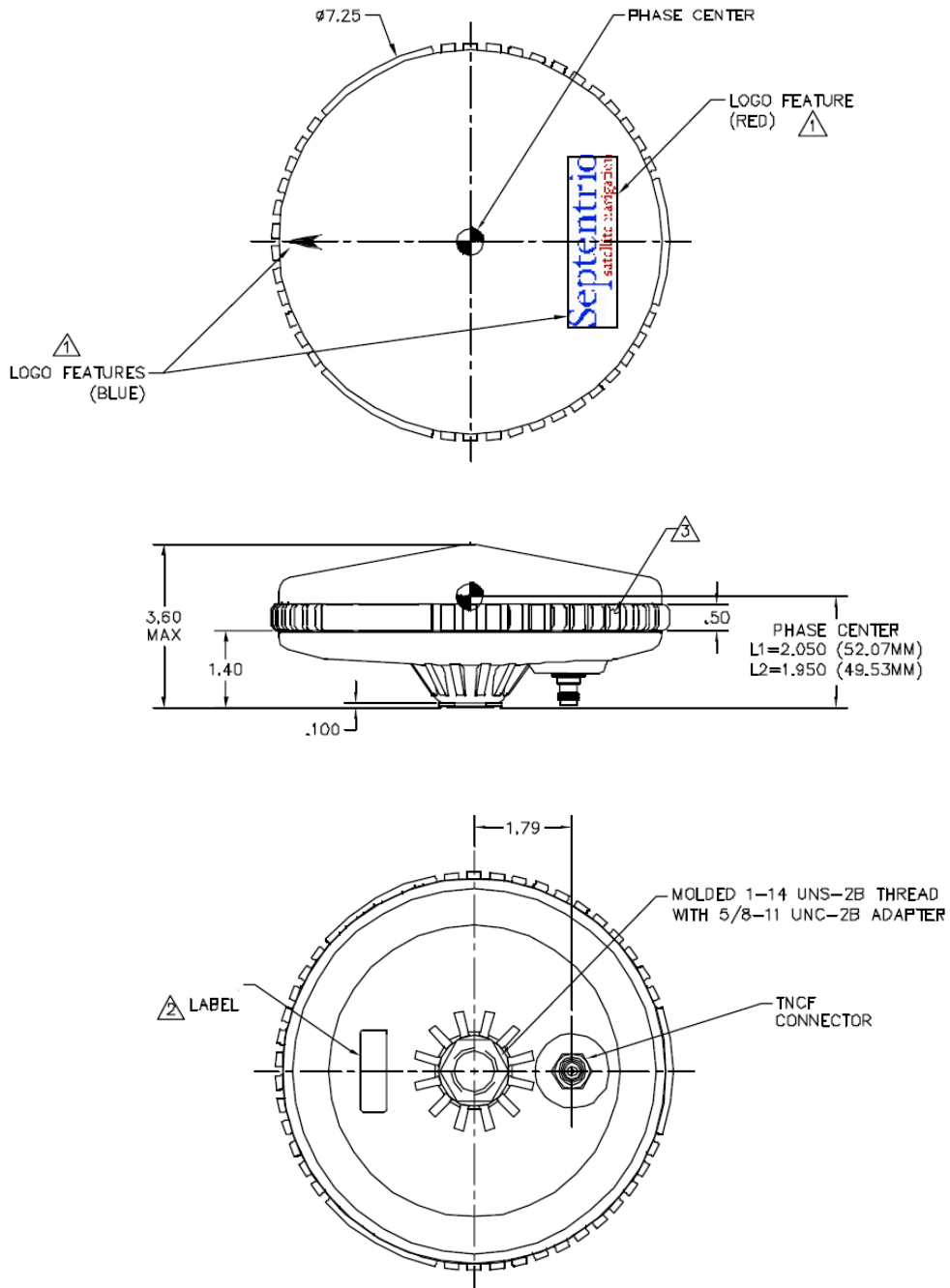
RxControl - RxControl is an intuitive user interface to configure and control all types of PolaRx receivers and monitor, log and post data remotely.

RxMobile - A unique intuitive, portable GUI field controller for the Septentrio receivers. RxMobile allows controlling the receiver, monitoring the navigation solution and accessing its functions in the field in the same intuitive way as with RxControl.



DIMENSIONS

Dimensions in inches



SSNDS 01/2009/1

Headquarters :
Ubicenter, Philipssite 5
B-3001 Leuven
Belgium

Phone: +32 16 300 800
Fax: +32 16 221 640
info@septentrio.com
www.septentrio.com

Although believed to be accurate and reliable, Septentrio reserves the right to alter the above specifications without prior notice. However, no responsibility is assumed by Septentrio for its use, nor for any infringements of patents or other rights of third parties resulting from its use.