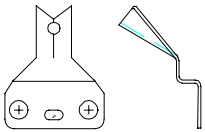
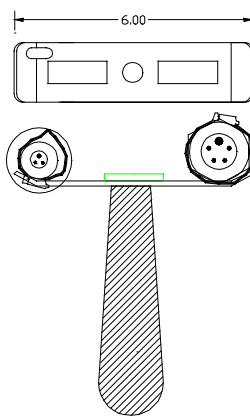


OPTIONAL: HELMET MOUNT

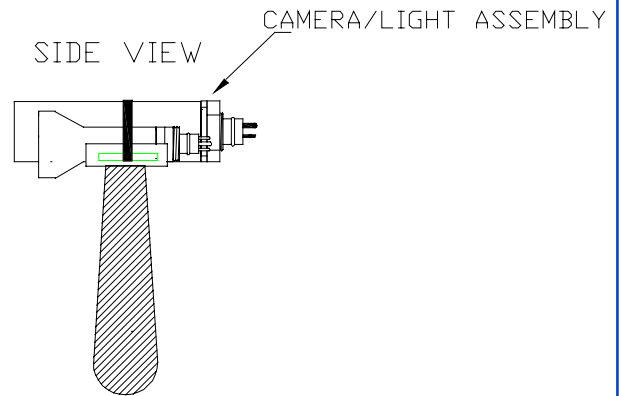


HM-300 FOR CAMERA OR LIGHT.

REAR VIEW



SIDE VIEW



**STANDARD SYSTEM INCLUDES:**

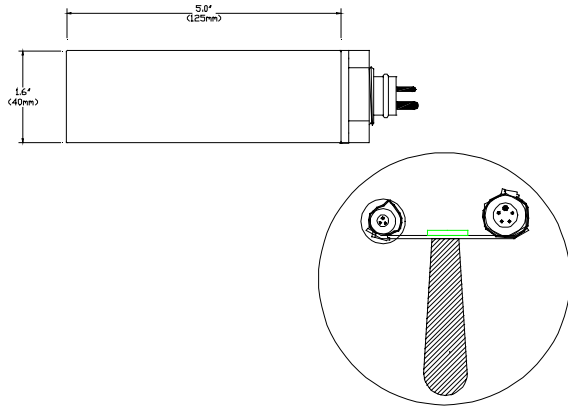
- UWC-325/p, Fixed focus, Color Camera
- UWL-200, 150 watt light
- DHM-60, Bracket/Handle
- C-2301, 500 ft, cable w/all connectors
- CON-3100, 12" LCD Monitor, DVD/VHS Recorder, Power supply with GFCI and Variable light control. All mounted in a weather-resistant shipping case.

# MODEL UWS-3110/3120

COMPLETE UNDERWATER VIDEO SYSTEM

## TECHNICAL SPECIFICATIONS

### CAMERA, MODEL UWC-325/p



#### MECHANICAL:

- Weight..... 6oz. (.2kg) Dry, 3 oz.(.08kg) Wet.
- Depth Rating...1000 ft. (300m).
- Housing.....Black Delrin

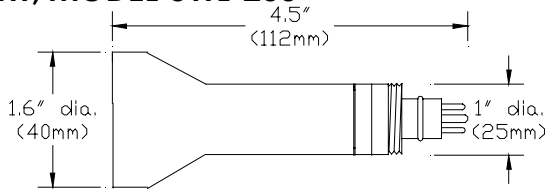
#### ELECTRICAL:

- Image Device.. 1/3" CCD sensor (768h x 494v).
- Sensitivity..... .01 lux @f1.4
- Resolution..... 480 TV lines standard
- Video Out..... 1.2 Vpp, NTSC standard (PAL option).
- Power..... 12 VDC @ 200 ma.

#### OPTICAL:

- Lens..... 3.6mm, Electronic-Iris
- Focus..... Fixed,4" to Infinity
- Angle of View..... 70 Horz. (in water).

### LIGHT, MODEL UWL-200



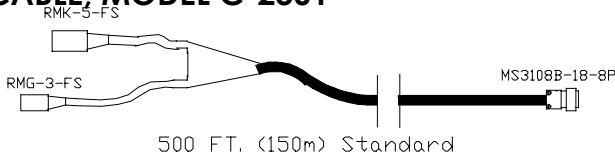
#### MECHANICAL:

- Weight..... 21oz. (.60kg) Dry, 20 oz.(.48kg) Wet.
- Depth Rating..... 3300 ft. (1000m).
- Housing.....17-4 Stainless

#### ELECTRICAL:

- Power..... up to 150 watts
- Color Temp..... 3000k
- Bulb..... Q150/cl/mc std., (75 & 100 Opt.)

### CABLE, MODEL C-2301



- Conductors..... 14 ea. #22 awg, 1 RG-59 Coax
- Length..... 500 ft. (150m) Standard
- Diameter..... .35" (8.5 mm)
- Materials..... Green, Polyurethane jacket.
- Breaking Strength..... 1200 lbs.

### CONSOLE, MODEL CON-3100



- Weight..... 54 Lbs. (24kg)
- Size ..... 22"Wx13"Hx23"D(550x325x575mm)
- Power..... 110 VAC/60Hz, fused at 5 amperes. (3120. 110/220 VAC 50/60 Hz.)
- Light Control..... Variable control 0-100%, 0-250 watts.
- Monitor..... 12" LCD Color w/audio.
- Safety..... GFI for main power, LIM to monitor umbilical, Isolation transformer for light.
- Connections..... Front panel connections for umbilical, Audio & Mic.
- Recorder ..... DVD/VHS format (standard on 3110) (VHS standard on 3120)

#### OPTIONS:

- |           |  |                    |  |
|-----------|--|--------------------|--|
| •Camera,  | 1. UWC-300,325/ss, 350,400,560<br>2. Optional connectors   | •Recorder,         | 1. DVD/HARD DRIVE (120GIG) recorder. (only on 3110)              |
| •Light,   | 1. UWL-100, 250 watt light.                                | •Booster,          | For cable over 1500 ft. to 3000 ft. Mounts in console.           |
| •Cable,   | 1. User Specified cable lengths.<br>2. C-1501 Video Cable. | •Video Typewriter, | Time/Date, 10 pages of text, and digital control of all cameras. |
| •Bracket, | 1. HM-300 Helmet mount                                     |                    |  |