

## Automatic weather station

### AWS 2700



#### AWS 2700

*A rugged self-contained station suited for use in remote places without electricity supply. Data can be recorded on site or be transmitted in real-time*

#### Features:

- Self-contained
- Real-time
- Serial production
- Rugged constructions
- Compact and modular design
- Standardized sensor signals
- Long-term unattended operation
- Automatic transmission of data
- Low power consumption
- Minimum maintenance
- Flexible plug-in communication solutions
- 10 steps selectable operating intervals
- Easy installation and rising of a 10m mast; Only one person required!
- Standard packing in re-usable, durable, lightweight plywood boxes with carrying handles
- Mast height: up to 10 meters

The Automatic Weather Station 2700 consists of light, compact units in hard anodized aluminum which are quick and easy to install.

Sensors and the communication solution are fitted on a sensor cross arm placed on top of the mast. The mast is supported by a housing which is bolted to the ground. A hinge at the base of the housing facilitates raising and lowering of the station.

An 18-conductor cable inside the mast interconnects the sensors, Radio Transmitter, Solar Cell Power Module and the Datalogger. The station is supplied with a tool kit and operating manuals.

All sensors are read in selectable intervals by an 18-channel Datalogger 3660 located in the housing. The first channel is

used for a fixed reference reading identifying the station. The remaining channels are for sensors.

The raw data are converted to engineering units and stored in the datalogger. Real time output is provided using one of the communication systems listed on the next page. The stored data can also be collected at the station using a portable PC.

To extend the self contained operating time, data can in addition be stored on-site in the Data Storage Unit 2990, a water-proof, reusable and removable unit which allows for easy recovery of data.

The entire station is powered by the Solar Cell Power Module which is an integral part of the mast structure.

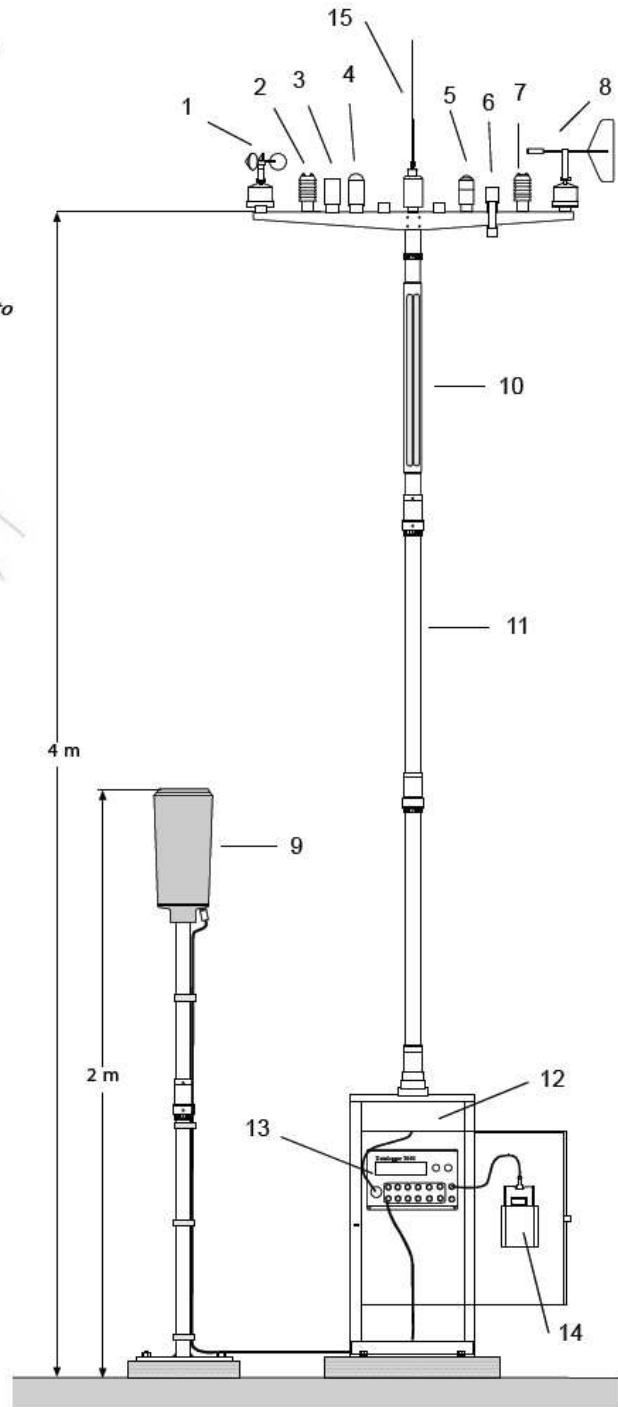
**Communication solutions:**

- UHF/VHF radio transmission. Real time data
- GSM up to 35km from coast line. Programmable dial-up
- GPRS
- Radio Modem
- Argos Satellite
- Inmarsat Satellite
- OrbCom Satellite
- Iridium Satellite selectable two-way communication

*Communication solutions can be changed according to project*



Argos satellite



*Please refer table on next page for details and part numbers*