

**TAIYO**

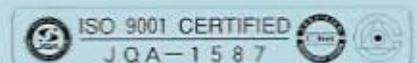
# Taiyo Synthesized 27 MHz / 40 MHz Automatic Direction Finder **TD-A440-1 / TD-A440-2**



## **GENERAL DESCRIPTION**

TD-A440, a ship-borne automatic direction finder covering a range from 27 MHz to 40 MHz band, has a full automatic needle display which is capable to indicate direction of incoming signal immediately with simple operation. Double super heterodyne computer controlled receiver enables high sensitive and stable reception and direction finding. Spot, search and scan reception are available. Users can choose its antenna depending on the frequency range they use. The model can control a calling signal generator, TR-L371, by connecting with a cable. Two antennas, EL-653 and EL-655 are provided depending on the frequency range.

**TAIYO MUSEN CO., LTD.**



## SPECIFICATIONS

### Receiver

Reception	: Synthesized double super heterodyne
Frequency range	: 26 - 28.9995 and 35 - 43.9995 MHz
Wave form	: A1A, A2A, A3E, H3E and J3E
Spot reception	: Maximum 100 channels
Scanning reception	: Maximum 100 channels
Search reception	: Search range from 10 kHz to 1,000 kHz in 2 kHz step

### Direction finding

Sensitivity	: $2\mu\text{V} / \text{m}$ or better
Accuracy	: $\pm 1^\circ$ or better ( $0^\circ$ , $1\text{mV} / \text{m}$ at 27.5 MHz)
Power source	: DC 24 V(AC on option)
Weight	: 9 kg

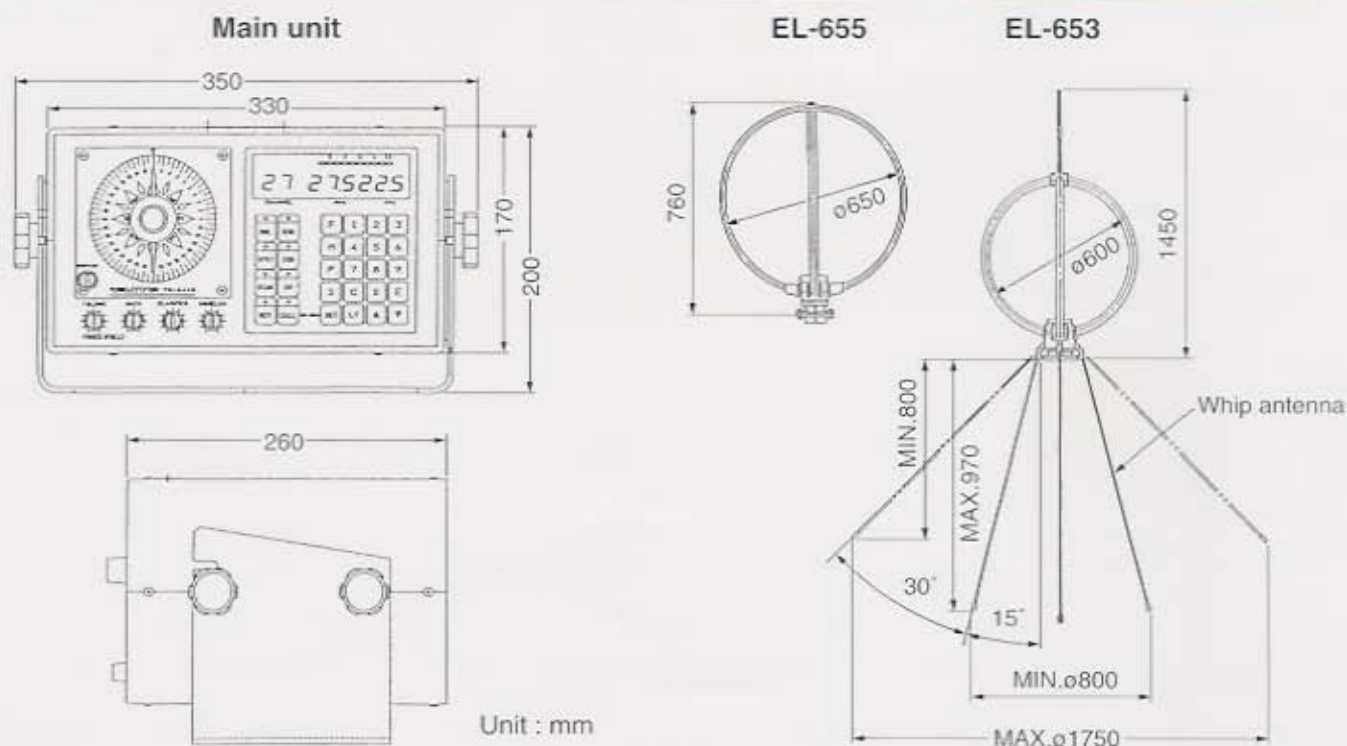
### Display

Bearing display	: Automatic needle indication with a compass rose
LED display	: Channel : 2 figures. Frequency : 6 figures. Tuning indicator : 10 LEDs.
AF output	: Maximum 2W (impedance $8\Omega$ )

### Antenna

Loop antenna	: EL-655 : 650 mm $\phi$ cross loop antenna (26 - 28.9995 MHz) EL-653 : 600 mm $\phi$ cross loop antenna (26 - 28.9995 and 35 - 43.9995 MHz)
Antenna cable	: 6 cored coaxial cable (3D-2E), 16 m (standard)

## OUTSIDE VIEW



\*Specifications and design are subjects to change without notice for future improvement.

PLEASE CONTACT

### TAIYO MUSEN CO., LTD.

20-7, 2-Chome, Ebisu-Nishi, Shibuya-ku Tokyo JAPAN 150-0021  
 TEL : 81-3-3780-3225  
 FAX : 81-3-3496-3677  
 URL : <http://www.taiyomusen.co.jp>  
 e-mail : [nakayama@hon.taiyomusen.co.jp](mailto:nakayama@hon.taiyomusen.co.jp)